

# **CHAPTER 5**

## **LOCK BOXES/ KEY SWITCHES**

### **CONTENTS:**

- **Lock Box Location And Installation Guide**
- **Lock Boxes**
- **Key Switches**
- **Padlocks**

### **PURPOSE:**

**Proper location of lock boxes and key switches enables emergency responders to gain entry into secured buildings. This reduces or eliminates damage done to property and also reduces response times.**



**N O T E S :**

1. 4400 SERIES DUAL KEY KNOX BOX IS REQUIRED TO BE LOCATED AT THE MAIN ENTRY.
2. ALL KNOX BOXES ARE REQUIRED TO BE INSTALLED AT 5 FT 6IN. ABOVE FINISH FLOOR.
3. THE FINAL PLACEMENT AND AMOUNT OF FIRE DEPT LOCK BOXES WILL BE DETERMINED BY FIRE PREVENTION EMERGENCY ACCESS INSPECTORS.

FNAME: BIG BOX RETAIL.CDR  
CALL FIRE PREVENTION-ACCESS OFFICER  
FOR QUESTIONS OR ASSISTANCE  
(602)256-3382 OR (602)262-6771

[Click on thumbtack for Corel DRAW File](#)



**PHOENIX  
FIRE DEPARTMENT  
BIG BOX RETAIL  
BUILDING**

L. HERTZ DP 5.1 FEB. 2004



**N O T E S :**

1. 4400 SERIES DUAL KEY KNOX BOX IS REQUIRED TO BE LOCATED BY THE FDC. IF THERE IS NO FDC, THE LOCK BOXES SHOULD BE LOCATED CENTRALLY ON THE BUILDING.
2. A 1658 KNOX BOX IS REQUIRED AT ANY REMOTE RISER ROOM EXTERIOR DOOR.
3. ALL KNOX BOXES ARE REQUIRED TO BE INSTALLED AT 5 FT 6IN. ABOVE FINISH FLOOR.
4. THE FINAL PLACEMENT AND AMOUNT OF FIRE DEPT LOCK BOXES WILL BE DETERMINED BY FIRE PREVENTION EMERGENCY ACCESS INSPECTORS.

FNAME: SHOPPING STRIP CENTER.CDR  
 CALL FIRE PREVENTION-ACCESS OFFICER  
 FOR QUESTIONS OR ASSISTANCE  
 (602)256-3382 OR (602)262-6771



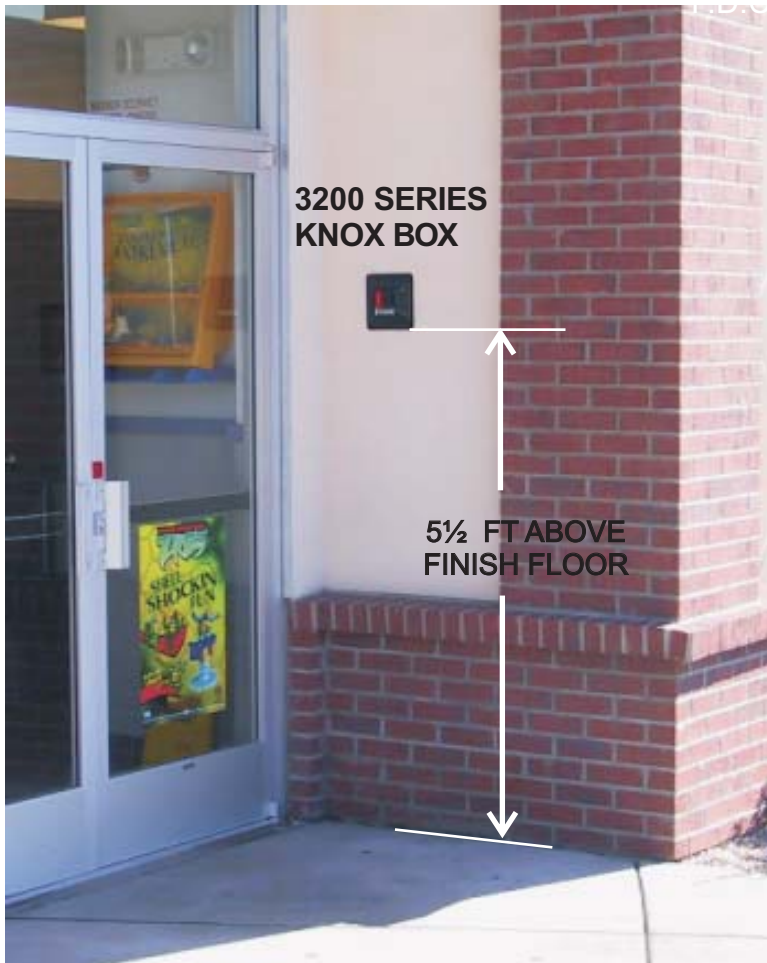
**PHOENIX  
 FIRE DEPARTMENT**  


---

**SHOPPING STRIP  
 CENTERS**

L. HERTZ

DP 5.2 FEB. 2004



**N O T E S :**

1. 3200 SERIES KNOX BOX IS REQUIRED TO BE LOCATED BY THE FDC. IF THERE IS NO FDC, THE LOCK BOXES SHOULD BE LOCATED AT THE FRONT ENTRY OF THE BUILDING.

2. A 1658 KNOX BOX IS REQUIRED AT ANY REMOTE RISER ROOM EXTERIOR DOOR.

3. ALL KNOX BOXES ARE REQUIRED TO BE INSTALLED AT 5 FT 6 IN. ABOVE FINISH FLOOR.

4. THE FINAL PLACEMENT AND AMOUNT OF FIRE DEPT LOCK BOXES WILL BE DETERMINED BY FIRE PREVENTION EMERGENCY ACCESS INSPECTORS.



**PHOENIX  
FIRE DEPARTMENT  
SMALL COMMERCIAL  
BUILDINGS**



**N O T E S :**

1. 4400 SERIES DUAL KEY KNOX BOX IS REQUIRED TO BE LOCATED AT THE MAIN ENTRY. MORE LOCK BOXES MAY BE REQUIRED AT OTHER ACCESS POINTS.
2. ALL KNOX BOXES ARE REQUIRED TO BE INSTALLED AT 5 FT 6IN. ABOVE FINISH FLOOR.
3. THE FINAL PLACEMENT AND AMOUNT OF FIRE DEPT LOCK BOXES WILL BE DETERMINED BY FIRE PREVENTION EMERGENCY ACCESS INSPECTORS.

FNAME: HIGH RISE KNOXBX.CDR  
CALL FIRE PREVENTION-ACCESS OFFICER  
FOR QUESTIONS OR ASSISTANCE  
(602)256-3382 OR (602)262-6771



**PHOENIX  
FIRE DEPARTMENT**  
**HIGH RISE KNOX BOX**

L. HERTZ

DP 5.4 FEB. 2004



**N O T E S :**

1. PRIMARY ACCESS POINTS THAT HAVE PEDESTRIAN GATES REQUIRE FIRE DEPARTMENT ACCESS. THIS ACCESS MAY BE PROVIDED WITH A 1658 KNOX BOX OR A 3502 KEY SWITCH.

2. THE FINAL PLACEMENT AND AMOUNT OF FIRE DEPT LOCK BOXES WILL BE DETERMINED BY FIRE PREVENTION EMERGENCY ACCESS INSPECTORS.

FNAME: PEDESTRIAN GATES.CDR  
CALL FIRE PREVENTION-ACCESS OFFICER  
FOR QUESTIONS OR ASSISTANCE  
(602)256-3382 OR (602)262-6771



**PHOENIX  
FIRE DEPARTMENT  
PEDESTRIANS GATES**

**L. HERTZ**

**DP 5.5 FEB. 2004**



12" X 12" SIGN  
SEE DETAIL 6.26

FIRE DEPT.  
COMMAND  
CENTER

KNOX KEY BOX

5 1/2 FT  
ABOVE GRADE



FIRE DEPT.  
COMMAND  
CENTER

FIRE &  
SECURITY

Click on thumbtack for  
Corel DRAW file 

FNAME: FP\_SIGN2.CDR  
CALL FIRE PREVENTION-ACCESS OFFICER  
FOR QUESTIONS OR ASSISTANCE  
(602)256-3382 OR (602)262-6771



**PHOENIX  
FIRE DEPARTMENT**  
**FIRE PROTECTION  
SIGNAGE**

L. HERTZ DP 5.7 MAY. 2003



- 1 **FIRE DEPT. ACCESS SIGN  
SEE DETAIL 8.9**
- 2 **WET STANDPIPE SIGN  
SEE DETAIL 6.11**
- 3 **KNOX KEY BOX**
- 4 **KNOX KEY SWITCH**

Click on thumbtack for  
Corel DRAW File 



**PHOENIX  
FIRE DEPARTMENT  
FIRE PROTECTION  
SIGNAGE**



**High Security Residential Key Box**



The 1658 KNOX-BOX<sup>®</sup> was developed to secure residential entrance keys. Knox<sup>®</sup> Residential is used for fire, police and medical emergency entry in gated communities, single family residences and apartment complexes. The hinged residential key box is also available with a door-hanging bracket for emergency medical access during temporary convalescence.

**Features and Benefits**

- Holds up to 2 keys in interior compartment
- Ensures high security with UL<sup>®</sup> Listed Medeco lock
- Includes Knox-Coat<sup>®</sup> that is four times better than standard powder coat
- Resists moist conditions with a weather resistant door gasket
- Colors: Black
- Weight: 7 lbs.

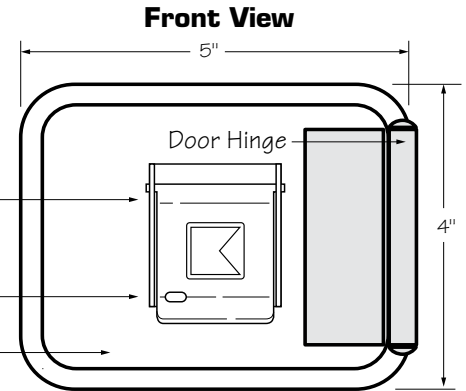
**Options**

- Door bracket for hanging over 1-7/8" door for temporary applications.

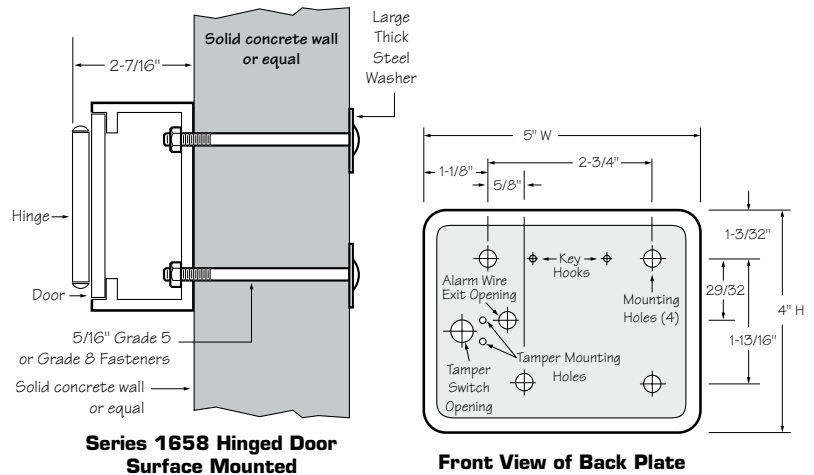
**Attention: KNOX-BOX<sup>®</sup> key box is a very strong device that MUST be mounted properly to ensure maximum security and resist physical attack.**

**Knox<sup>®</sup> Rapid Entry System**

The Knox Company manufactures a complete line of high security products including Knox-Box key boxes, key vaults, cabinets, key switches, padlocks, locking FDC caps, plugs and electronic master key security systems. For more information or technical assistance, please call Customer Service at 1-800-552-5669.



**Suggested minimum mounting height 6 feet above ground**



**Note: For commercial applications, see 3200 Series Knox-Box<sup>®</sup> or 4400 Series Knox-Vault<sup>™</sup>.**

**Ordering Specifications**

**To insure procurement and delivery of the 1658 KNOX-BOX hinged-door model, it is suggested that the following specification paragraph be used:**

**KNOX-BOX** surface or door mount. 1/4" plate steel housing, 1/4" thick steel door with interior gasket seal and stainless steel door hinge. Box and lock UL<sup>®</sup> Listed. Lock has 1/8" thick dust cover with tamper seal mounting capability.

Exterior Dimensions: Surface mount - 5"H x 4"W x 2-7/16"D  
Door hanger - 5"H x 4"W x 2-7/16"D

Lock: UL Listed. Double-action rotating tumblers and hardened steel pins accessed by a biased cut key.

Finish: Knox-Coat<sup>®</sup> proprietary finishing process

Colors: Black

P/N: 1658 KNOX-BOX (mfr's cat. ID)

Mfr's Name: **KNOX COMPANY**



Recessed Mount  
with Face Flange

Surface Mount

The number one high-security **KNOX-BOX®** is used for most commercial applications including businesses, schools, government and public buildings.

The hinged-door 3200 Series KNOX-BOX is more convenient than the lift-off door version because it allows single-handed operation and opened or closed, it's all one unit.

### Features and Benefits

- Holds up to 5 properly tagged keys
- Ensures high security with UL Listed Medeco lock
- Includes a Knox-Coat™ proprietary finishing process that protects Knox products up to four times better than standard powder coat
- Resists moist conditions with a weather resistant door gasket
- Hinged door allows single-handed operation
- Colors: Black, dark bronze or aluminum  
Weight: Surface mount - 8 lbs.  
Recessed mount - 9 lbs.

### Options

- Alarm tamper switches (UL Listed)
- Additional rust and corrosion protection (Aluminization)
- Recessed Mounting Kit (RMK) for recessed models only

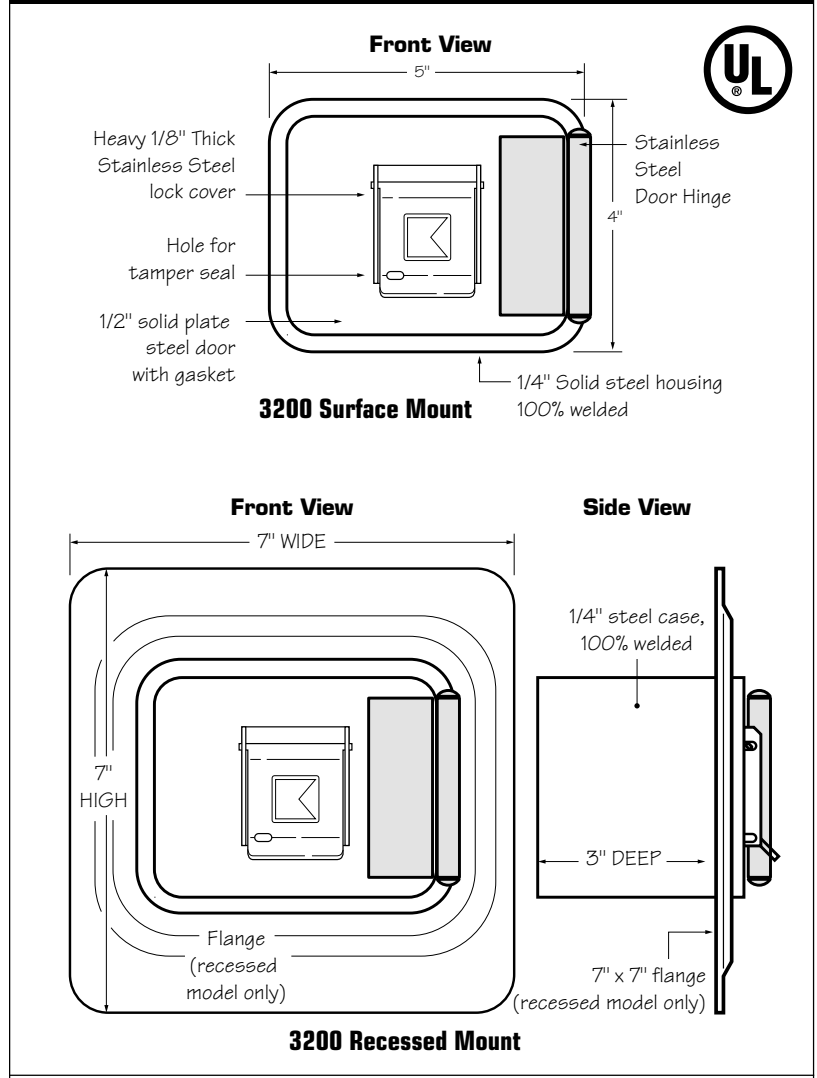


# KNOX-BOX

## 3200 Series

### Hinged Door Model

#### High Security Commercial Key Box



**3200 Surface Mount**

**3200 Recessed Mount**

**Ordering Specifications**

*To insure procurement and delivery of the 3200 Series KNOX-BOX, it is suggested that the following specification paragraph be used:*

**KNOX-BOX** surface/recessed mount with hinged door, with/without UL Listed tamper switches. 1/4" plate steel housing, 1/2" thick steel door with interior gasket seal and stainless steel door hinge. Box and lock UL Listed. Lock has 1/8" thick stainless steel dust cover with tamper seal mounting capability.

Exterior Dimensions: Surface mount - 4"H x 5"W x 3 1/4"D  
Recessed mount - 7"H x 7"W x 3 1/4"D

Lock: UL Listed. Double-action rotating tumblers and hardened steel pins accessed by a biased cut key.

Finish: Knox-Coat™ proprietary finishing process

Colors: Black, Dark Bronze or Aluminum

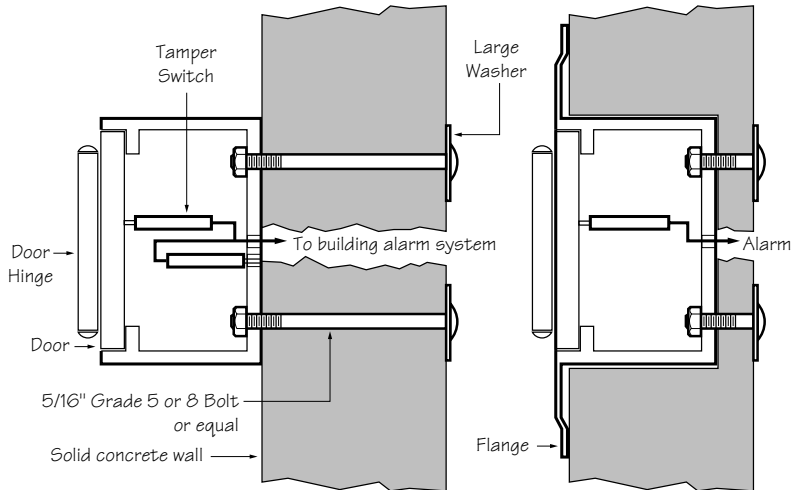
P/N: 3200 Series KNOX-BOX (mfr's cat. ID)

Mfr's Name: **KNOX COMPANY**





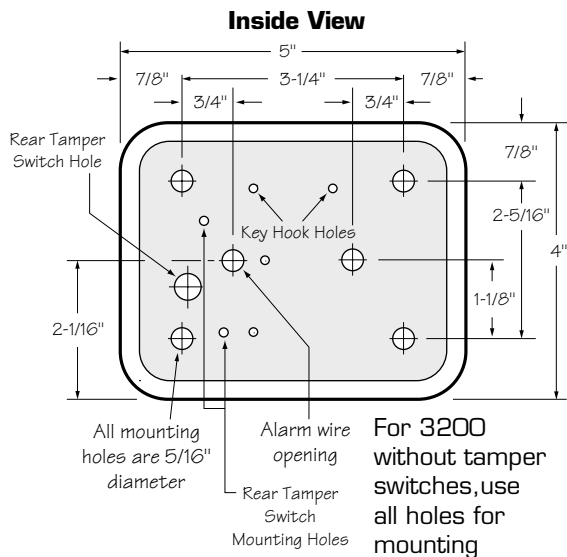
# KNOX-BOX 3200 Series with Hinged Door Mounting Diagrams



**Series 3200 Hinged Door  
Surface Mounted**

**Series 3200 Hinged Door  
Recess Mounted**

**To be mounted 5-1/2 feet above finished floor.**



### Knox Rapid Entry System

The Knox Company manufactures a complete line of high security products including Knox-Boxes, key vaults, cabinets, key switches, padlocks, locking FDC caps and electronic master key security systems. For more information or technical assistance, please call Customer Service at 1-800-552-5669.

### Recessed Mounting Kit

The 3200 Recessed Mounting Kit (RMK) is used for recessed models only. It contains a shell housing and mounting hardware to be cast-in-place in new concrete or masonry construction. After construction is completed, the KNOX-BOX mounts inside the recessed shell housing. The RMK may only be used in new concrete or masonry construction.

### Installation

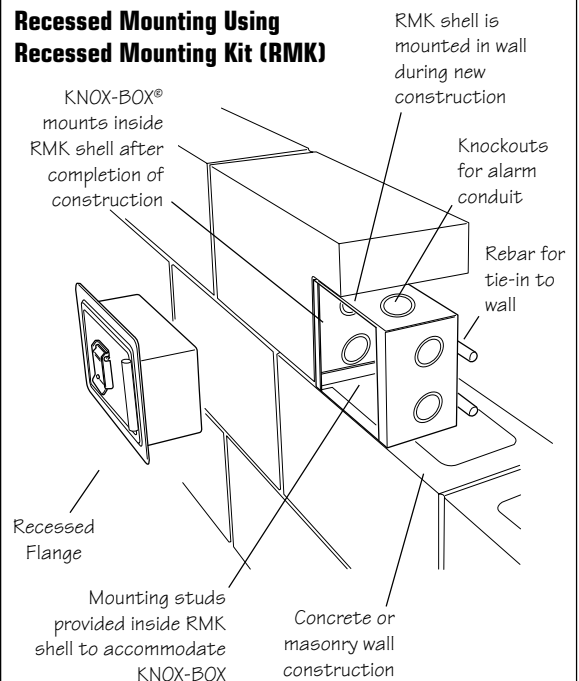
Fasten the mounting kit to the inside wall of a concrete form or set-in-place during masonry wall construction. Connect the wiring conduit through one of several knockout holes in the shell housing.

### Dimensions

6-1/8" H x 6" W x 5" D, including Rebar

**IMPORTANT:** Care should be taken to insure that the front of the RMK shell housing, including the cover plate and screw heads, is flush with the finish wall. The RMK must be plumbed to insure vertical alignment of the vault.

### Recessed Mounting Using Recessed Mounting Kit (RMK)



© copyright 2004. Knox Company





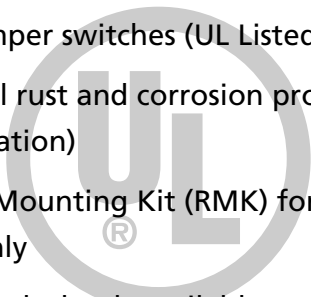
Knox-Vaults are used in larger businesses, industrial properties, public buildings and multi-suite buildings. The heavy-duty, high security 4400 Series Knox-Vault protects and stores building keys, access cards and floor plans for emergency entry. The vault also provides secure storage for other internal and external applications.

### Features and Benefits

- Holds up to 20 properly tagged keys in the large interior compartment
- Dual lock configuration
- Ensures high security with UL Listed Medeco lock(s)
- Includes Knox-Coat™ that is four times better than standard powder coat
- Resists moist conditions with a weather resistant door gasket
- **Colors:** Black, dark bronze or aluminum
- **Weight:** Surface mount - 28 lbs.  
Recessed mount - 29 lbs.

### Options

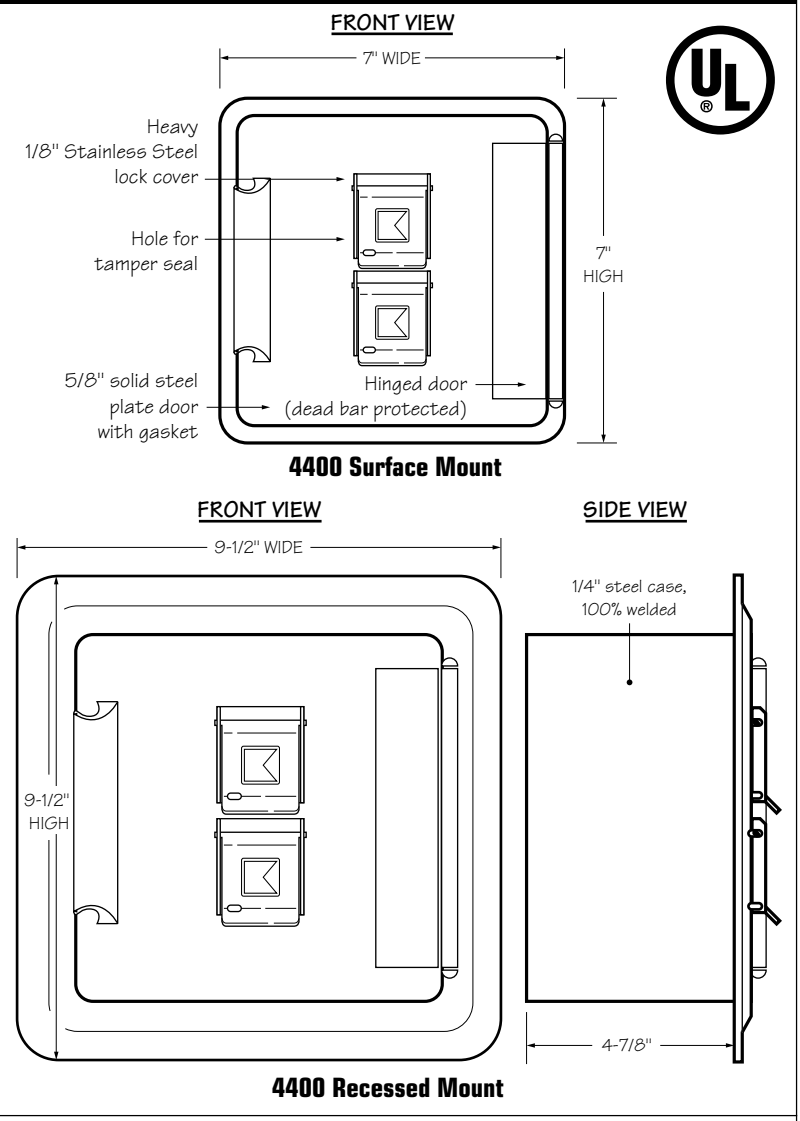
- Alarm tamper switches (UL Listed)
- Additional rust and corrosion protection (Aluminization)
- Recessed Mounting Kit (RMK) for recessed models only
- Custom vault depth available



# KNOX-VAULT

## 4400 Series - Dual Lock

### High-Security Commercial Key Vault



### Ordering Specifications

*To insure procurement and delivery of the 4400 Series Knox-Vault, it is suggested that the following specification paragraph be used:*

**KNOX-VAULT** surface/recessed mount, with/without UL Listed tamper switches. 1/4" plate steel housing, 5/8" thick steel door with interior gasket seal. Vault and lock UL Listed. Lock has 1/8" dust cover with tamper seal mounting capability. Vault has anti-theft re-locking mechanism with drill resistant hard-plate lock protector.

Exterior Dimensions: Surface mount - 7"H x 7"W x 5"D  
Recessed mount - 9 1/2"H x 9 1/2"W x 5"D

Lock: UL Listed. Double-action rotating tumblers and hardened steel pins accessed by a biased cut key.

Finish: Knox-Coat™ proprietary finishing process  
Finish Color - Black, Dark Bronze or Aluminum

P/N: 4400 Series Knox-Vault (mfr's cat. ID)

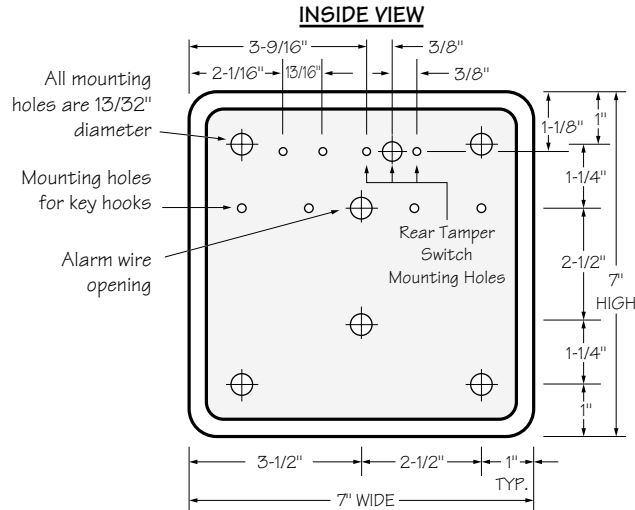
Mfr's Name: **KNOX COMPANY**



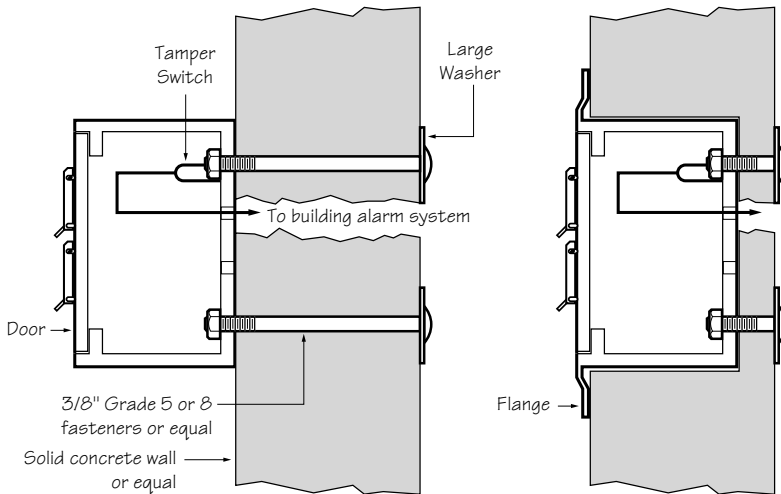


# KNOX-VAULT 4400 Series

## Mounting Diagrams



To be mounted 5-1/2 feet above finished floor.



Series 4400 Surface Mount

Series 4400 Recessed Mount

**Attention: KNOX-BOX is a very strong device that MUST be mounted properly to ensure maximum security and resist physical attack.**

### Knox Rapid Entry System

The Knox Company manufactures a complete line of high security products including Knox-Boxes, key vaults, cabinets, key switches, padlocks and electronic master key security devices. For more information or technical assistance, please call Customer Service at 1-800-552-5669.

## Recessed Mounting Kit

The 4400 Recessed Mounting Kit (RMK) is used for recessed models only. It contains a shell housing and mounting hardware to be cast-in-place in new concrete or masonry construction. After construction is completed, the Knox-Vault mounts inside the recessed shell housing. The RMK may only be used in new concrete or masonry construction.

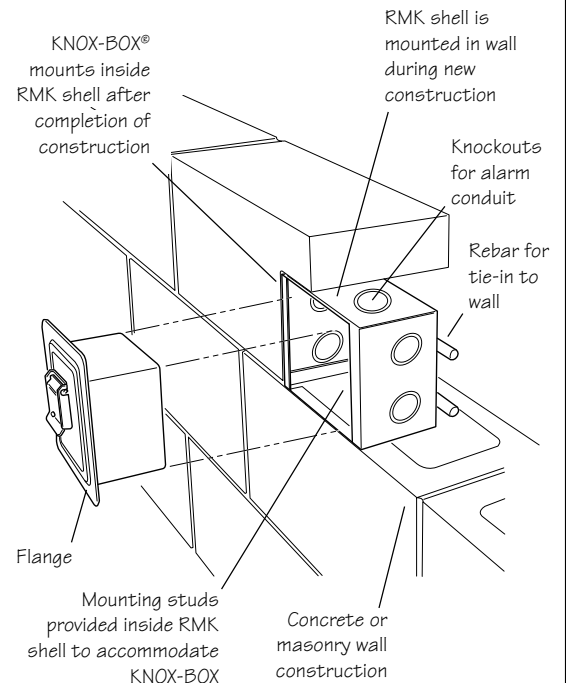
### Installation

Fasten the mounting kit to the inside wall of a concrete form or set-in-place during masonry wall construction. Connect the wiring conduit through one of several knockout holes in the shell housing.

### Dimensions

8 1/4"H x 8 1/4"W x 7"D, including Rebar

**IMPORTANT:** Care should be taken to insure that the front of the RMK shell housing, including the cover plate and screw heads, is flush with the finish wall. The RMK must be plumbed to insure vertical alignment of the vault.



© copyright 2004. Knox Company



**Knox Cabinet 1300 Series** securely stores facility access keys and vital emergency information. On site availability of hazardous material documents, key control, floor plans and evacuation data can also be included.

The cabinet is constructed of 10 gauge plate steel and is UL listed against physical attack. It is available in either a 5" or 7" depth. This versatile, 100% welded cabinet stores documents, up to 231 keys, or a combination of keys and documents.

The 1300 Series is ideal for on site availability of emergency information and master keys at high-rise buildings and large complexes. The cabinet meets government requirements for storage of MSDS (Material Safety Data Sheets), pre fire plans, floor plans and building evacuation instructions.

## Features and Benefits

- Immediate access to vital documents
- Secure building key storage
- Drill and attack resistant construction
- High security locking system
- Optional alarm tamper switches
- Single or dual lock configuration



# KNOX CABINET 1300 Series

High Security Key & Document Storage



### Ordering Specifications

***In order to ensure procurement and delivery of the 1300 Series cabinet, it is suggested that the following specification paragraph to be used:***

**Cabinet**, Knox, heavy-duty UL listed, surface mount with/without UL listed alarm tamper switches. 10 gauge plate steel housing, 100% welded. Door: 10 gauge steel with added 1/4" steel front guard plate, lock protecting hardplate, 1" security overlap, all welded deadbar protected full length hinge, 7-point latchbar interlock. Lock shall be UL listed. Lock shall have 1/8" stainless steel dust cover with tamper seal mounting capability.

Exterior Dimensions: 14-1/2"W x 18"H x 5" or 7"D.

Lock: UL Listed. Double-action rotating tumblers and hardened steel pins, accessed by a biased cut key

Finish: Knox-Coat™ proprietary finishing process  
Finish Color - Grey

P/N: 1300 Series Knox Cabinet, (mfr's cat. ID).

Mfr's Name: **KNOX COMPANY**





# KNOX CABINET 1300 Series

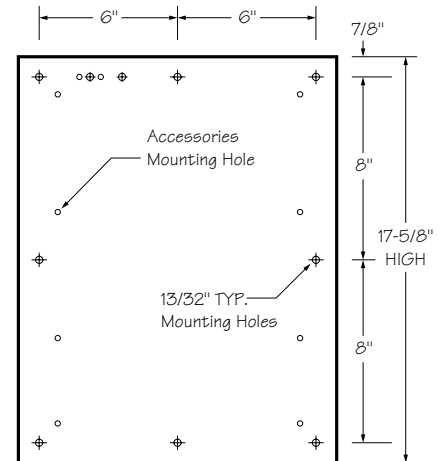
## Specifications

- Size:** 14-1/2"W x 18"H x 5"D or 7"D  
(Handle extends 1-7/8" from front of cabinet)
- Weight:** 65 lbs.
- Finish:** Includes a Knox-Coat™ proprietary finishing process that protects Knox products up to four times better than standard powder coat
- Color:** Light grey
- Material:** Housing: 10 gauge plate steel  
Door: 10 gauge plate steel with 1" security overlap, fully welded hinge with deadbar, full 7 point latchbar interlock, lock protecting hardplate
- Features:** 5" or 7" depth for ample storage, welded corner overlaps, deadbar protected full length hinge
- Lock:** Medeco UL® listed with double-action rotating tumblers and hardened steel pins accessed by a bias cut key; 1/8" stainless steel dust cover with tamper seal capability
- Options:** Alarm tamper switches, dual entry locks (either key opens cabinet or both keys required to open cabinet) combination lock, submastered lock, key hook panels to 231 keys (when no documentation is stored)  
*For custom modifications, please contact factory*

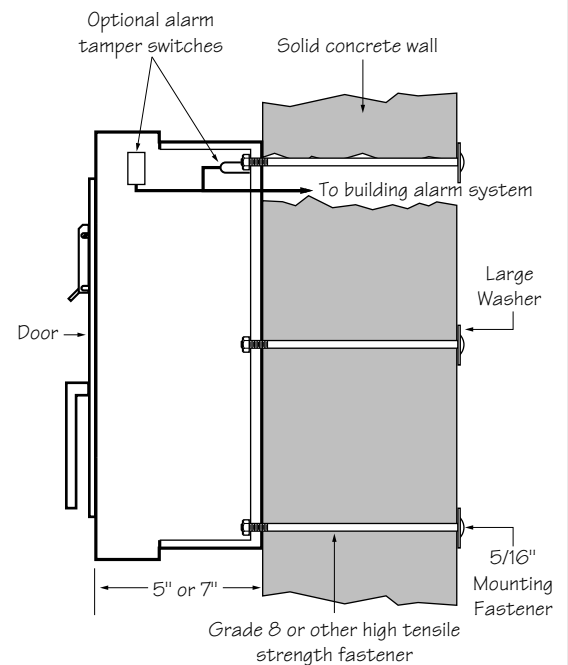
### Knox Rapid Entry System

The Knox Company manufactures a complete line of high security products including Knox-Boxes, key vaults, armored cabinets, key switches, padlocks, locking FDC caps, and an electronic master key security system. For more information or technical assistance, please call Customer Service at 1-800-552-5669.

## Mounting Diagrams



**1300 Series Mounting Holes Diagram**



**1300 Series Mounting Illustration**



© copyright 2004. Knox Company



S40-0032 04/04

Gated communities, apartment complexes, parking garages, pedestrian gates and industrial receiving areas are just a few applications of the Knox electric override key switch. It also controls emergency power system shutoff, and electronically locking doors.

## Features

- Single key switch
- Fire department identification label
- Two position switch
- Face plate and lock cover ensure weather resistant operation.

## Electrical Data

SWITCH: SPDT

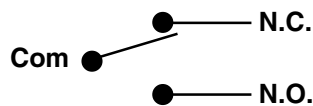
7 A res., 4 A ind., (sea level), 28 VDC.

7 A res., 2.5 A ind., (50,000 ft.), 28 VDC.

7 A res. or ind., 115 VAC., 60 Hz.

U.L. and CSA listed: 7 A, 250 VAC.

Temperature tolerance up to +180° F.



### Knox Rapid Entry System

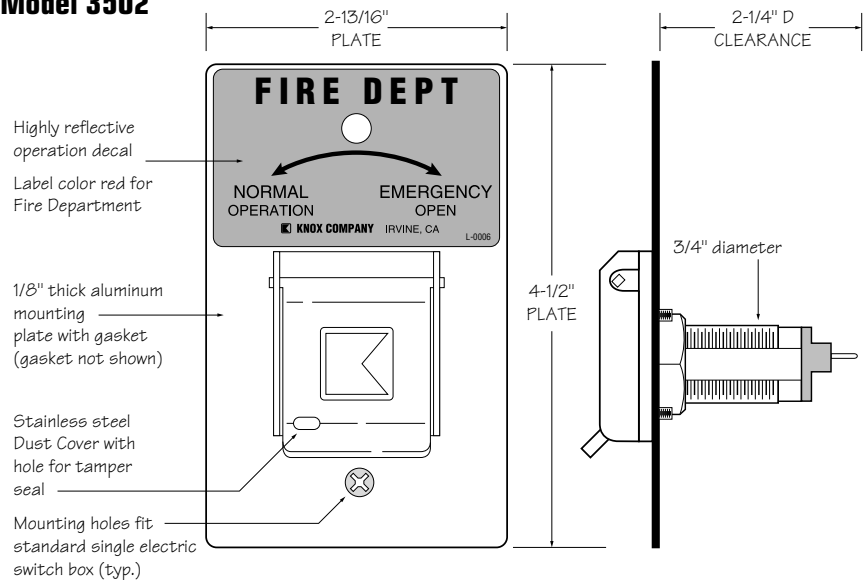
The Knox Company manufactures a complete line of high security products including Knox-Boxes, key vaults, armored cabinets, key switches, padlocks, locking FDC caps, the Knox-Scan infrared heat sensor, and an electronic master key security system. For more information or technical assistance, please call Customer Service at 1-800-552-5669.

# Knox Key Switch 3500 Series

for Emergency Override



## Single Switch Model 3502



### Order Specifications

Dimensions: Requires 2 1/4" recessed depth x 3/4" diameter  
 Switch: S.P.S.T.; 7A res, 4A ind., key removable two position.  
 Mounting: Key switch is designed to be recess mounted.  
 P/N: 3500 Series Knox Key Switch (mfr's cat. ID)  
 Mfr's Name: KNOX COMPANY

© copyright 2004. Knox Company



S40-0031 04/2004





# Padlocks

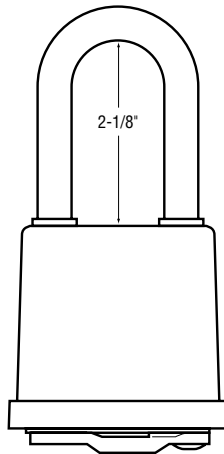
## 3750 Series

### Fire/Law Enforcement Rapid Entry System

#### Exterior Padlock Features and Benefits

Knox Padlocks are operated with the same Knox® Master Key used for other Knox Rapid Entry System devices. The exterior, heavy duty Knox Padlock (Model 3753) with a stainless steel shackle, is designed for securing perimeter or fire access gates, industrial equipment yards and residential storage areas.

- All-weather stainless steel shackle resists bolt cutter attacks
- Lock design and heavy-duty solid brass body resists pull attacks
- EPDM rubber seal and body cover protects padlock from harsh weather conditions
- Medeco® cylinder has a UL 437 rating not offered by most padlock manufacturers
- Choice of ID label (Fire/red, Police/blue, Sheriff/gold, Security/white)



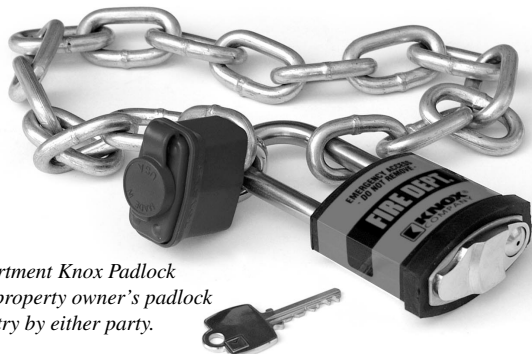
**Model 3753**

5-1/8"H x 2-1/2"W x 1-3/8"D  
3/8" diameter

**Ordering Specifications**

*To insure procurement and delivery of the Series 3750 Exterior and Interior Knox Padlocks, it is suggested that the following specification paragraph be used:*

**EXTERIOR Model 3753**  
 Padlock: Heavy-duty UL Listed cylinder.  
 Lock: Double-action rotating tumblers and hardened steel pins accessed by a biased cut key.  
 Finish: Solid brass body and cylinder with EPDM rubber seal and body cover and stainless steel shackle.  
 P/N: 3750 Series Knox Padlock (mfr's cat. ID)  
 Mfr's Name: **KNOX COMPANY**



*Fire department Knox Padlock linked to property owner's padlock allows entry by either party.*

**Knox Rapid Entry System**

The Knox Company manufactures a complete line of high security products including Knox-Boxes, key vaults, armored cabinets, key switches, padlocks, locking FDC caps, and electronic master key security systems. For more information or technical assistance, please call Customer Service at 1-800-552-5669.

© copyright 2004. Knox Company

